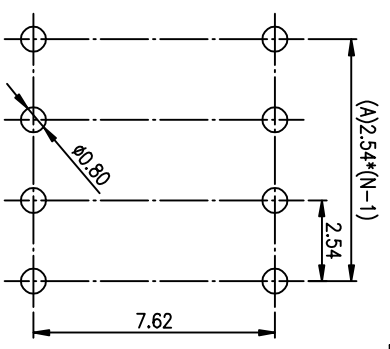
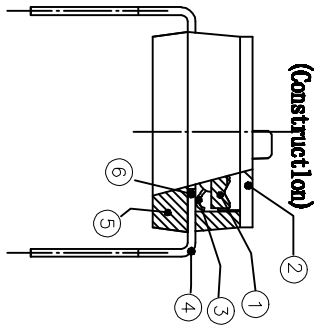
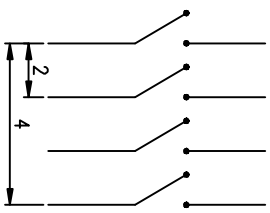
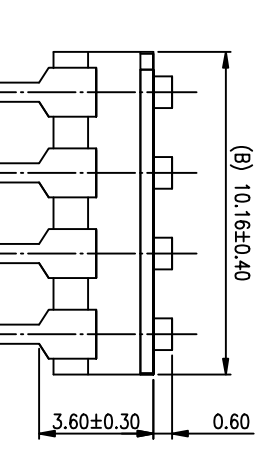
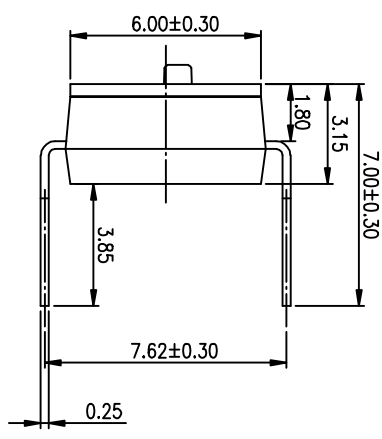
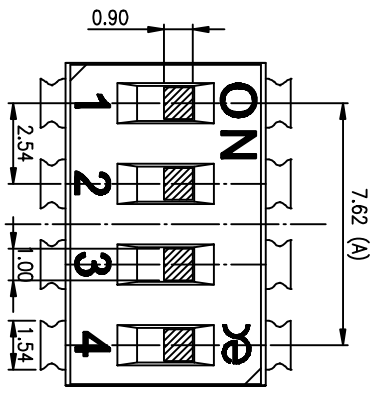


PRODUCT NO.	MSDCKXHGHT
ROHS COMPLIANT	Yes

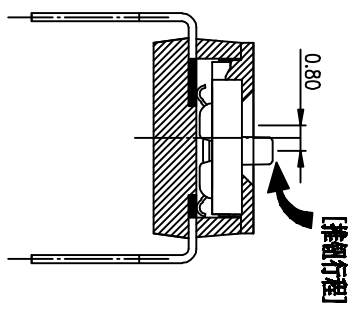


RECOMMENDED P.C.B. LAYOUT (TOP VIEW)

- NOTES :
- 1> Specification:
 - 1> Operating force: 1000gf Max
 - 2> Operating Temperature: -40° to +85°
 - 3> Storage Temperature: -40° to +85°
 - 4> Mechanical Life: 3000cycles minimum
 - 5> Electrical Life: 2000cycles 25mA 24VDC
 2. PLATING:
 - GOLD FLASH 1u"(min.) SOLDER TAIL,
 - 3u" GOLD PLATING ON THE CONTACT AREA,
 - WITH 50u" NICKEL UNDERPLATING OVERALL.

3. PART NUMBER DESCRIPTION

- DISC XX L H G E T
- [包装方式: T=管装 R=盒装]
 - [电镀层: B=镀锡3u" G=镀镍3u" / 厚镍3u"-2u"]
 - [G=鍍金 S=內金少槽]
 - [脚型: S脚 / J脚 / 圆脚 / A脚 / Z脚]
 - [T=低接触度 S=低接触度 L=长推]
 - [产品规格: 01=1P 02=2P 03=3P 12=12P]



DIMENSIONS		DIMENSIONS			
POS.	(A)	(B)	POS.	(A)	(B)

2P	2.54	5.08	1P	/	2.54
4P	7.62	10.16	3P	5.08	7.62
6P	12.7	15.24	5P	10.16	12.70
8P	17.78	20.32	7P	15.24	17.78
10P	22.86	25.40	9P	20.32	22.86
12P	27.94	30.48			

Number	Part Name	Material	Finished
①	Actuator	UL94 V0	White
②	Cover	UL94 V0	Black
③	Movable	Copper Alloy	3u"Gold
④	Terminal	Brass	1u"Gold
⑤	Base	UL94 V0	Black
⑥	Terminal Contact	Brass	3u"Gold

TOLERANCE UNLESS OTHERWISE SPECIFIED		INSPECTION COPY	
LINER	ANGLES	PROJECTION	COPY
0 ± 0.25	0. ± 2'	0.00 ± 0.10	2012/04/12
.00 ± 0.15	.0 ± 1'	.00 ± 0.5'	
DRAWING CHECK		DESIGN	
APPRO.		kathy	
FILE NO. MSDCKXHGHT-A		PRODUCT FAMILY Y DISC SERIES	
SIZE UNIT SCALE SHEET REV.		PRAT NO. DISCKXHGHT	
A4 mm 2 : 1 1 OF 1 A			



BY DISC SERIES PITCH 2.54mm