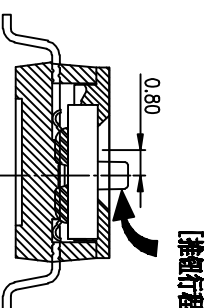
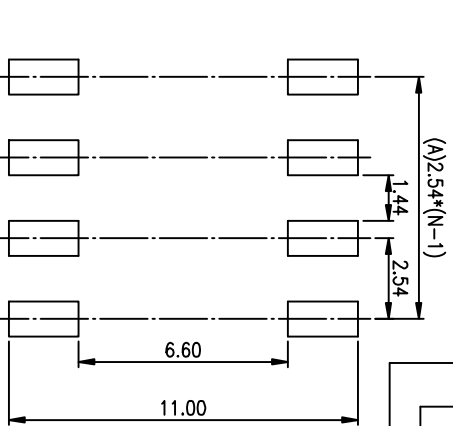
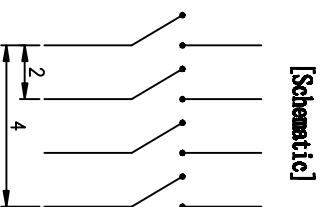
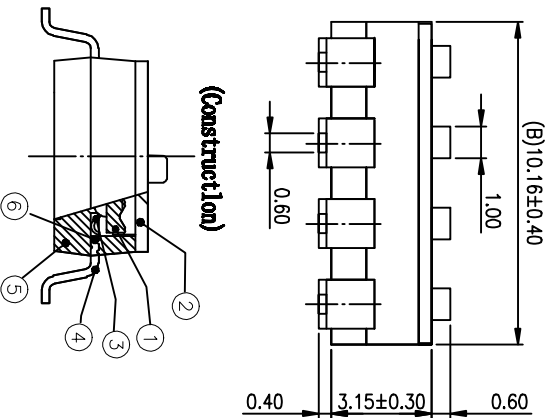
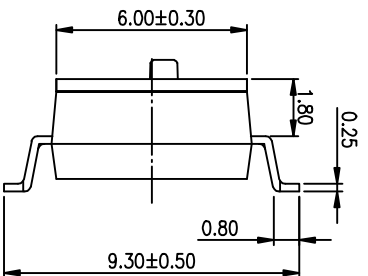
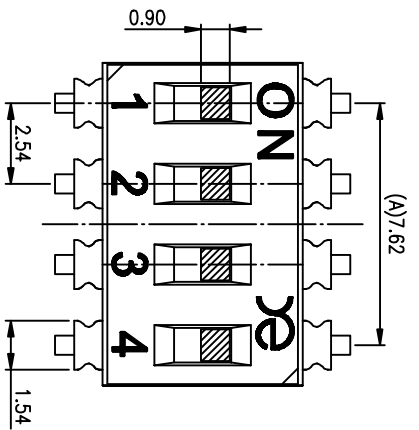


| | |
|-----------------------|----------------|
| PRODUCT NO. | DISCxxL5GET |
| ROHS COMPLIANT | RoHS compliant |



- NOTES :**
- 1>.Specification:
 - 1>.Operating force:1000gf Max
 - 2>.Operating Temperature: -40° to+85°
 - 3>.Storage Temperature: -40° to+85°
 - 4>.Mechanical Life:3000cycles minimum
 - 5>.Electrical Life:2000cycles minimum
 2. PLATING:
 - GOLD FLASH 1u"(min.) SOLDER TAIL,
 - 3u" GOLD PLATING ON THE CONTACT AREA,
 - WITH 50u" NICKEL UNDERPLATINGOVERALL.

3. PART NUMBER DESCRIPTION

- DISC XX L S G E T
- [包裝方式: T=管裝 R=盒裝]
 - [電鍍層: B=鍍鍍3u" G=鍍鍍3u" / 鍍鍍3u"-2u"]
 - [G=鍍金 S=內鍍外鍍]
 - [測試: S牌 / J牌 / 環 / A牌 / Z牌]
 - [T=低推力度 S=低推不推度 L=長推]
 - [T片公差: 02=2P 04=4P 06=6P 08=8P 10=10P 12=12P]

RECOMMENDED P.C.B. LAYOUT (TOP VIEW)

| DIMENSIONS | | DIMENSIONS | |
|------------|-------|------------|-------|
| POS. | (A) | POS. | (A) |
| 2P | 2.54 | 1P | 2.54 |
| 4P | 7.62 | 3P | 5.08 |
| 6P | 12.7 | 5P | 10.16 |
| 8P | 17.78 | 7P | 15.24 |
| 10P | 22.86 | 9P | 20.32 |
| 12P | 27.94 | | |

| Number | Part Name | Material | Finished |
|--------|------------------|--------------|----------|
| ① | Actuator | UL94 V0 | White |
| ② | Cover | UL94 V0 | Black |
| ③ | Movable | Copper Alloy | 3u"Gold |
| ④ | Terminal | Brass | 1u"Gold |
| ⑤ | Base | UL94 V0 | Black |
| ⑥ | Terminal Contact | Brass | 3u"Gold |

TOLERANCE UNLESS OTHERWISE SPECIFIED

| OTHERWISE SPECIFIED | ANGLES | PROJECTION | COPY |
|---------------------|------------|------------|------|
| 0 ± 0.25 | 0. ± 2° | | |
| .00 ± 0.15 | .0 ± 1° | | |
| .000 ± 0.10 | .00 ± 0.5° | | |

| FILE NO. | UNIT | SCALE | SHEET | REV. |
|----------|------|-------|--------|------|
| A4 | mm | 2 : 1 | 1 OF 1 | A |

| INSPECTION | COPY | TITLE |
|------------|------|-----------------------------|
| | | BY DISC SERIES PITCH 2.54mm |
| | | PRODUCT FAMILY DISC SERIES |
| | | PRAT NO. DISCxxL5GET |
| | | DESIGN 2012/04/12 |
| | | DRAWING |
| | | CHECK |
| | | APPRO. |

| INSPECTION | COPY | TITLE |
|------------|------|-----------------------------|
| | | BY DISC SERIES PITCH 2.54mm |
| | | PRODUCT FAMILY DISC SERIES |
| | | PRAT NO. DISCxxL5GET |
| | | DESIGN 2012/04/12 |
| | | DRAWING |
| | | CHECK |
| | | APPRO. |